

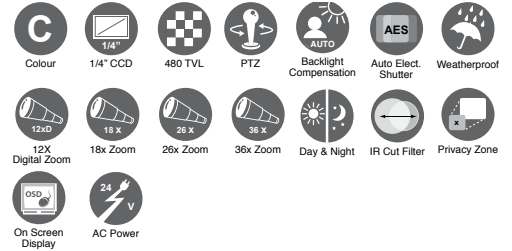
CME -I Series Outdoor Speed Dome Cameras

Like the CME the CME-I has a 360° continuous rotation, manual speed pan of 0.5 ~ 240/sec, up to 128 preset points and 9 integrated protocols (with different baud rates) this camera comes with a mechanical IR cut filter, plus an integrated multi protocol, three programmable speed Auto Scan (3 programmable speeds) and intelligent power-off memory for current (home) position. The CME-I also comes with programming on-screen menus and OSD, cross-hairs for pan-tilt offset, position and sector label display, privacy zone (masking), 6 programmable Vector scans and an IP 66 rated weatherproof housing.



Features:

- Intelligent power-off memory current setting and state home position.
- Pan range 360° continue
- Manual speed pan 0.5°~240°/sec
- Preset points 64 points
- Tours 6 programmable
- On screen display menu, Pan/Tilt Position Display & Crosshair Display
- 3 Programmable (Pan/Tilt/Zoom and each tour is 120 seconds)



ISD-18X12CME-I

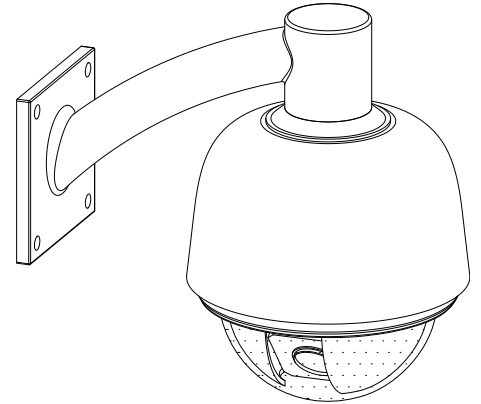
1/4" SONY CCD
470 (PAL), 480 (NTSC) TVL Horizontal Resolution
18X optical + 12X digital zoom f1.4 ~ f3.0 Lens

ISD-26X12CME-I

1/4" Super CCD
470 (PAL), 480 (NTSC) TVL Horizontal Resolution
26X optical + 12X digital zoom f1.6 ~ f3.8 Lens

ISD-36X12CME-I

1/4" Super CCD
470 (PAL), 480 (NTSC) TVL Horizontal Resolution
36X optical + 12X digital zoom f1.6 ~ f4.5 Lens



CME-I Dome Options:

Standard dome colour is 'Smoke' as shown above.
Optional dome colours are Blue, Reflective and Clear.



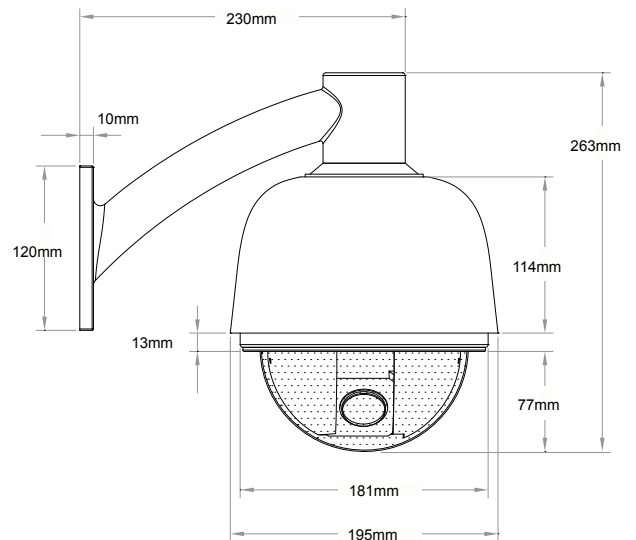
Smoke Blue Reflective Clear

ORDERING:

ORDERING:

- ISD-18X3CME-I** Outdoor Speed Dome Camera, w/ 18x Optical Zoom & Metal Housing, 480 TVL, 24v DC
- ISD-26X3CME-I** Outdoor Speed Dome Camera, w/ 26x Optical Zoom & Metal Housing, 480 TVL, 24v DC
- ISD-36X3CME-I** Outdoor Speed Dome Camera, w/ 36x Optical Zoom & Metal Housing, 480 TVL, 24v DC

NOTE:
Specify power requirements when ordering: 120vAC 60Hz or 230vAC 50hz.



| Model | ISD-18X12CME-I | ISD-26X12CME-I | ISD-36X12CME-I |
|-------------------------------------|---|---|--|
| Zoom Module | | | |
| Image Sensor | 1/4" EXview HAD CCD Technology | | |
| Number of Effective Pixels | Effective: NTSC: 768 x 494 / PAL: 752 x 582 / Total: NTSC: 811 x 508/ PAL: 795 x 596 | | |
| Day & Night | Yes (IR CUT FILTER) | | |
| Gain | Auto/Manual (-3 to 28 dB, 2dB steps) | | |
| AE Control | Auto, Manual, Priority Mode, Bright, EV compensation, Back light compensation | Auto, Manual, Priority Mode, Bright, EV compensation, Backlight compensation, Slow AE | |
| Back Light Compensation (BLC) | Auto / On/Off | | |
| Electronic Shutter | 1/4 to 1/10000 sec., 20 steps | 1/1 to 1/10,000 s, 22 steps | |
| EV Compensation | -10.5 to +10.5 dB (1.5dB steps) | | |
| White Balance | Auto, ATW, Indoor, Outdoor, One Push WB, Manual WB | | |
| Video Output | VBS: 1.0 Vp-p (Sync. negative) Y/C Output | | |
| System | NTSC / PAL | | |
| Built-in Zoom Lens | 18x optical zoom f = 4.1mm (Wide) ~ 73.8mm (tele) f1.4 ~ f3.0, 48° ~ 2.7° | 26x optical zoom f = 3.5mm (Wide) ~ 91.0mm (tele) f1.6 ~ f3.8, 42.2° ~ 1.6° | 36x optical zoom f = 3.4 mm (wide) to 122.4 mm (tele) f1.6 to f4.5, 57.8° ~ 1.7° |
| Digital Zoom | 12X (216X with Optical Zoom) | 12X (312X with Optical Zoom) | 12X (432X with Optical Zoom) |
| Minimum Working Distance | 10mm (wide) ~ 800mm (tele) | 3200 (Wide) ~ 1500mm (tele) | |
| Focusing System | Auto (Sensitivity: Norm, L), On-Push AF, Manual, Infinity, Interval AF, Zoom Trigger AF | | |
| Horizontal Resolution | 480 TV line (Color) / 500 TV line (Mono) | | |
| Sensitivity (Typical) | 0.7 lux (f1.4 normal shutter speed) | 1.0 lux (f1.6, 501RE) | |
| Image | | | |
| Scanning mode | 2:1 interlace scan | | |
| Scanning line | NTSC: 525 lines / PAL: 625 lines | | |
| Scanning frequency | Hor: NTSC: 15.734K Hertz / PAL: 15.625K Hertz / Vert: NTSC: 59.94K Hertz / PAL: 50K Hertz | | |
| Aperture correction | NTSC: 59.94K Hertz / PAL: 50K Hertz | | |
| Speed dome Functions | | | |
| Address | 0 ~ 255 | | |
| Preset Points | 128 Points | | |
| Home Position | Yes | | |
| Operation Return Function | Yes | | |
| Vector Scan Group | 6 Programmable (Dwell time speed preset point) | | |
| Auto Scan | With Smart Programmable variable speed | | |
| Privacy zones (Masking) | 8 Programmable Zones | | |
| Sector label display | 8 Programmable Zones | | |
| PTZ Tours (Pattern) | 3 Programmable (Pan/Tilt/Zoom and each tour is 120 seconds) | | |
| Crosshair function | Yes | | |
| High efficient 3-dimension scan | Yes | | |
| Intelligent pwr. off real time mem. | Yes | | |
| Home Position | Yes | | |
| Camera Menu Operation | Yes | | |
| On screen display | Yes | | |
| Position display | Pan and Tilt position display | | |
| Recall Function | Yes | | |
| Continue Manual | Continuous | | |
| Mechanical | | | |
| Transmission Type | Belt | | |
| Pan Range | 360° Continue | | |
| Tilt Range | 0° ~ 90° Flip | | |
| Manual Speed Pan | 0.1~ 300°/Sec | | |
| Manual Speed Tilt | 0.1~ 120°/Sec | | |
| Preset Speed | 400°/Sec | | |
| Pan Range | 360° Continue | | |
| Electrical | | | |
| Input Voltage | 24VAC 2A 60Hz/50Hz | | |
| Power Consumption | 20W | | |
| Video Connection | BNC | | |
| Communication | RS485 (+/-) | | |
| General | | | |
| IP Rating | IP66 (Vandal Proofing option available) | | |
| Operating Temperature | -22°C to 60°C (-7.6°F to 140°F) | | |
| Operating Humidity | 0% ~ 90% (non compensating) | | |
| Heater Operating Temperature | 6°C (ON) to 14°C (OFF) (42.8°F(ON) to 57.2°F(OFF)) | | |
| Storage Temperature | 20°C ~ 70°C (-4°F ~ 158°F) | | |
| Storage Humidity | 20% ~ 95% (non compensating) | | |
| Construction | Cast Aluminum Housing / Beige Finish | | |
| Weight | 3.27Kg (7.2 Lbs.) | | |

CME-I Outdoor Speed Dome Camera

REGULATORY:

CE (EN5513, EN50130-4)
EU: 73/23/EEC LVD
RoHS Compliant

ACCESSORIES:

Power Supplies

Model #IPS1205E 230v AC 50Hz
Model #IPS1205E 120v AC 60Hz

© i-LAX ELECTRONICS INC. 2009
Specifications are subject to change without notice.
Weights and dimensions may be indicative.
Revised January 2009

