

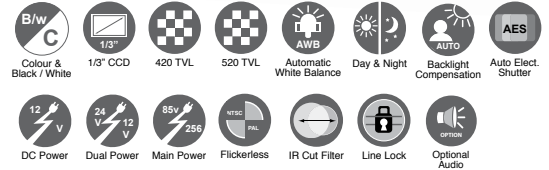
CMTR Series Day & Night Analogue Cameras with IR Cut Filter

For challenging conditions in low lighting applications, the CMTR series includes a mechanical IR cut filter. With IR illumination for dark areas this camera provides true colour in daylight conditions and monochrome under those conditions where there is no visible light. As a result, this camera offers remarkable results in very challenging conditions.



Features:

- 1/3" SONY Super Had CCD
- CRR Enhancement
- Mechanical IR Cut Filter
- AGC, BLC, AWB
- DC 12V; DC 12V + AC 24V Dual or AC 85~265V (Switching Power) (optional)
- Day & Night function (optional)
- Audio Function (optional)

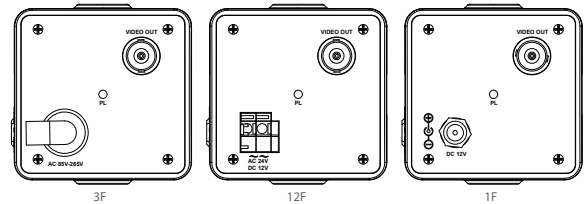
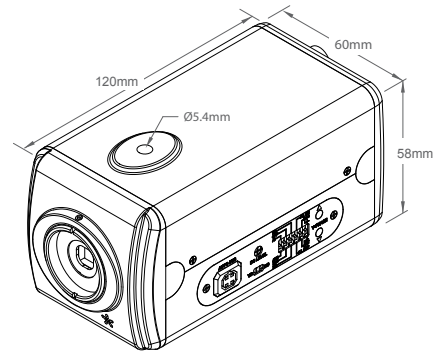


IC-N42CMTR-1F / 12F / 3F

Picture Elements: NTSC 510 x 492, PAL 500 x 582
Horizontal Resolution: 420 TVL Colour (450 TVL B & W)

IC-N54CMTR-1F / 12F / 3F

Picture Elements: NTSC 768 x 494, PAL 752 x 582
Horizontal Resolution: 540 TVL Colour (570 TVL B & W)



ORDERING:

IC-N42CMTR1F Day & Night Box Camera with IR Cut Filter, 420 TVL, 12v DC
IC-N54CMTR1F Day & Night Box Camera with IR Cut Filter, 540 TVL, 12v DC

IC-N42CMTR12F Day & Night Box Camera with IR Cut Filter, 420 TVL, 12v DC/24v AC
IC-N54CMTR12F Day & Night Box Camera with IR Cut Filter, 540 TVL, 12v DC/24v AC

IC-N42CMTR3F Day & Night Box Camera with IR Cut Filter, 420 TVL, 185 ~ 265 AC
IC-N54CMTR3F Day & Night Box Camera with IR Cut Filter, 540 TVL, 185 ~ 265 AC

NOTE:

Indicate if Audio Option is required.
Specify NTSC or PAL when ordering

Model	IC-N42CMTR	IC-N54CMTR
Operational		
Image Sensor	1/3" SONY Super HAD CCD	
Number of Effective Pixels	<u>Effective</u> : NTSC: 510 x 492 / PAL: 500 x 582	NTSC: 768 x 494 / PAL: 752 x 582
	<u>Total</u> : NTSC: 537 x505 / PAL: 537 x597	NTSC: 811 x 508/ PAL: 795 x 596
Auto Gain Control (AGC)	DIP Switch 34dB	
Auto Exposure	AE / AI Switchable	
Auto Iris Shutter	NTSC: 1/60 sec. – PAL: 1/50 sec.	
Auto Iris Lens	DC / Video Servo Switchable	
Back Light Compensation (BLC)	Auto detect, histogram and 225 areas windows weighted	
Electronic Shutter	1/50 (60) to 1/100,000 second	
Exposure Control	Auto, gamma settings	
Gamma Correction	0.45	
White Balance	Auto tracking 2500K to 9500K	
Flickerless	On / Off Switchable	
Digital Zoom	N/A	
On-Screen Display (OSD)	N/A	
Lens Mount	C and CS Mount	
Video Output	1Vp-p, 75 Ω composite BNC connector	
Scanning Mode	2:1 interlace scan	
Scanning Line	NTSC: 525 lines / PAL: 625 lines	
Hor. scanning frequency	NTSC: 15.734K Hz / PAL: 15.625K Hz	
Ver. scanning frequency	NTSC: 59.94K Hz / PAL: 50K Hz	
Acceptable IR wavelength	100 to 1100nm	
Aperture Correction	Horizontal and Vertical 2H enhancer	
System	NTSC / PAL	
Horizontal Resolution	420TVL (Colour), 450 TVL (B&W)	540TVL (Colour), 570 (B&W)
Sensitivity (30IRE, f1.2, SAGC)	0.1Lx (Colour), 0.03Lx (B&W)	0.5Lx (Colour), 0.08Lx (B&W)
Electrical		
Input Voltage Options	12v DC / 12v DC and 24v AC / 85v ~ 265v AC	
Power Consumption	12v - 180mA	12v - 200mA
	12v DC ~ 24v AC – 2.76w 85v ~ 265v AC – 2.76w	12v DC ~ 24v AC – 2.83w 85v ~ 265v AC – 2.83w
Synchronization	12v DC – Internal / 24v AC & 85v ~ 265v AC Line-lock	
General		
Operating Temperature	10°C to 50°C (14°F to 122°F)	
Operating Humidity	20% ~ 80% (non compensating)	
Storage Temperature	-20°C to 70°C (-4°F to 158°F)	
Storage Humidity	20% ~ 95% (non compensating)	
Construction	Aluminum Housing / Beige Powder Coat	
Weight	0.55Kg (1.2 Lb)	

CMTR Series Day & Night Camera with IR Cut Filter

REGULATORY:

CE (EN5513, EN50130-4)
EU: 73/23/EEC LVD
RoHS Compliant

ACCESSORIES:

Housing and Mounts

Model #I-WBM Wall Mount
Model #I-WBJ Wall Mount
Model #I-WBCLA Wall Mount
Model #I-WBCD Swivel Mount

Power Supplies

Model #IPS1205E 230v AC 50Hz
Model #IPS1205E 120v AC 60Hz

