

**CMTXR Series Ex-View Day & Night IP Cameras with IR Cut Filter**

For the most challenging conditions in low lighting applications, the CMTXR series includes a mechanical IR cut filter and the Sony Ex-view CCD. With IR Illumination for dark areas this camera provides true colour in daylight conditions and monochrome under those conditions where there is no visible light. As a result, this camera offers remarkable results in exceedingly challenging conditions.



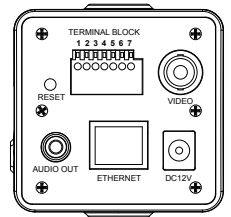
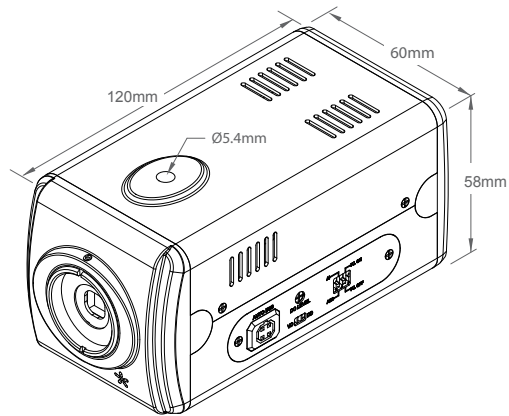
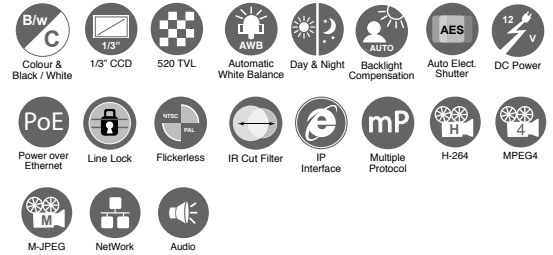
**Features:**

**Features:**

- 1/3" Sony Ex-view HAD CCD Technology
- CRR Enhancement
- Mechanical IR Cut Filter
- AGC, BLC, AWB
- SONY Ex-view CCD
- H.264, MPEG4 & MJPEG Simultaneous (Tri-encoder) Compression
- Comprehensive I/O ports including, Audio in/out, DI/DO, RS485, RJ45 & Composite or Digital Video Output
- Supports various protocols including RTSP, UPnP, Samba, Multi-cast, Unicast and others
- Audio Function with G.711 / G.726 Compression
- 1F for 12v DC - 2F for POE

**IC-LN52CMTXR-1F / 2F**

Picture Elements: NTSC 768 x 494, PAL 752 x 582  
 Horizontal Resolution: 520 TVL Colour (570 TVL B & W)



LN

**ORDERING:**

- IC-LN52CMTXR-1F** Day & Night IP Box Camera w/ IR Cut Filter, 520 TVL, 12v DC
- IC-LN52CMTXR-2F** Day & Night IP Box Camera w/ IR Cut Filter, 520 TVL, PoE(12v DC)

Model	IC-LN52CT	IC-LN52CMT	IC-LN52CMTXR	IC-LN52CMTXR	IC-LN52CTEX
<b>Camera</b>					
Image Sensor	1/3" SONY Super HAD CCD Technology			1/3 Sony Ex-view HAD CCD Technology	
Number of Effective Pixels	Effective	NTSC: 768 x 494 / PAL: 752 x 582			
	Total	NTSC: 811 x 508 / PAL: 795 x 596			
Auto gain control (AGC)	DIP switch 34dB				
Auto exposure	AE / AI switchable				
Auto iris shutter	AI NTSC: 1/60 second / PAL 1/50 second				
Auto iris lens	DC / video servo switchable				
Back light compensation	Auto detect, histogram and 225 areas windows weighted				
Electronic shutter	AES 1/50 (60) to 1/100,000 second				
Exposure control	AI or AES				
Flicker less	ON / OFF switchable				
Gamma correction	0.45				
White balance	Auto tracking 2500K to 9500K				
Scanning line	NTSC: 525 lines / PAL: 625 lines				
Hor. scanning frequency	NTSC: 15.734K Hertz / PAL: 15.625K Hertz				
Ver. scanning frequency	NTSC: 59.94K Hertz / PAL: 50K Hertz				
Acceptable IR wavelength	N/A	100 to 1100nm			
Aperture Correction	Horizontal and vertical 2H enhancer				
Mechanical infrared-cut filter	N/A	9 zones intelligent brightness/time counter detection		N/A	
Signal system	NTSC / PAL				
Horizontal resolution	520 TV line				
Sensitivity (30IRE, SAGC)	Color: 0.5 lx	Color: 0.5 lx. / Black&White:0.08 lx.		Color: 0.3 lx. / Black&White:0.05 lx.	
<b>IP</b>					
Compression format	MJPEG/MPEG4/H.264 simultaneously				
Video input	ITU-CCIR 656 digital input				
Video encoder	H.264/MPEG4/MJPEG				
Video resolution	QCIF: 176 x 144 / CIF: 352 x 288 / 4CIF (D1): 704 x 576				
Maximum frame rate	30fps for each video profile				
3GPP support	Yes				
Video streaming	Multi-video format streaming simultaneously				
Integrated motion detection	Yes				
Multicast streaming support	Yes				
Video buffer	Pre and post alarm buffering				
Maximum access	Up to 20 simultaneous unicast users and unlimited on multicast mode				
Audio compression	G.711/G.726				
Network	10 base-T/100base-TX auto negotiation				
Protocols	TCP, UDP, HTTP, SMTP, FTP, NTP, DNS, DDNS, DHCP, ARP, Bonjour, UpNP, RTSP, RTP, RTCP, PPoE, 3GPP, Samba, ICMP				
<b>Interface</b>					
Lens mount	C or CS mount				
Video output	1Vp-p. 75 Ω composite BNC connector				
Serial Interface	RS-485				
I/O port	Sensor in x1 Alarm out x1				
Audio line output	Mini-jack (monaural)Max output level: 1Vrms				
Alarm out	FTP/EMAIL/external alarm out/PTZ preset point/audio out				
<b>Electrical</b>					
Operating temperature	0°C ~ +50°C (32°F ~ 122°F)				
Storage temperature	-20°C ~ +70°C (-4°F ~ 158°F)				
Weight	Approximately 0.6 kg				

## CMTXR Series Ex-View Day & Night IP Cameras with IR Cut Filter

### REGULATORY:

CE (EN5513, EN50130-4)  
EU: 73/23/EEC LVD  
RoHS Compliant

### ACCESSORIES:

#### Housing and Mounts

Model #I-WBM Wall Mount  
Model #I-WBJ Wall Mount  
Model #I-WBCLA Wall Mount  
Model #I-WBCD Swivel Mount

#### Power Supplies

Model #IPS1205E 230v AC 50Hz  
Model #IPS1205E 120v AC 60Hz

