

**CMTYA Series Dome Day & Night Medium Dome Camera with Vari Focus Auto Iris lens & Vandal Proof Housing**

The CMTYA Dome series with Vari -Focal, Auto Iris lens comes with a unique Punch to Close design, 3 Axis Gyroscope camera-brace construction, low power consumption and a built-in 4 ~ 9mm VariFocal lens. Wall or ceiling mount with a clear dome with liner for discretion with no light loss. The CMTYA is IP 66 weatherproof and is available in surface or flush mount design. CMTYA also offers Day & Night functionality with an acceptable IR range of 100 to 1100nm.



**IC-DA38CMTY**

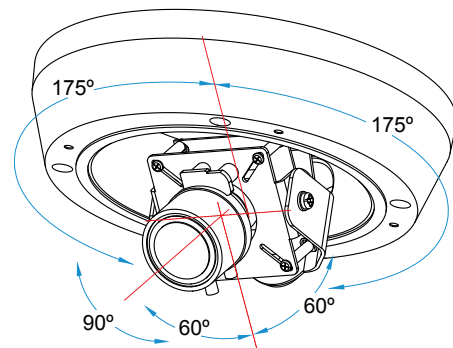
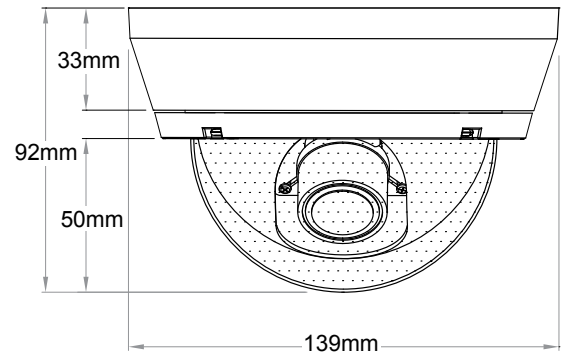
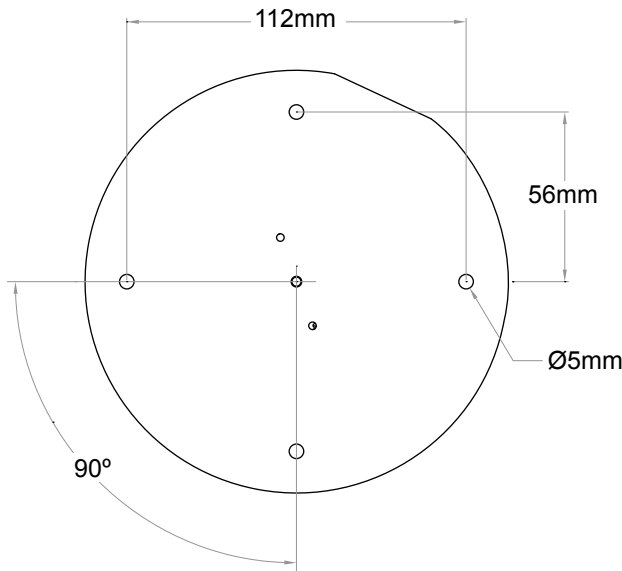
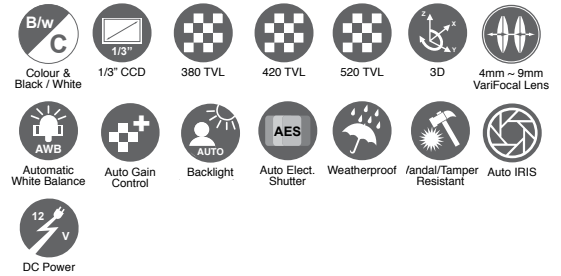
1/3" Super HAD SONY CCD  
Picture Elements: NTSC 510 x 492, PAL 500 x582  
380 TVL Horizontal Resolution

**IC-DA42CMTY**

1/3" Super HAD SONY CCD  
Picture Elements: NTSC 510 x 492, PAL 500 x582  
420 TVL Horizontal Resolution

**IC-DA54CMTY**

1/3" Super HAD SONY CCD  
Picture Elements: NTSC 768 x 494, PAL 752 x 582  
540 TVL Horizontal Resolution



**ORDERING:**

**IC-DA38CMTY** Day & Night Medium Dome Camera with Vandal Proof Housing & Vari Focus Lens, 380 TVL, 12v DC

**IC-DA42CMTY** Day & Night Medium Dome Camera with Vandal Proof Housing & Vari Focus Lens, 420 TVL, 12v DC

**IC-DA54CMTY** Day & Night Medium Dome Camera with Vandal Proof Housing & Vari Focus Lens, 520 TVL, 12v DC

**NOTE:**

Specify NTSC or PAL when ordering.

| Model                         | IC-DA38CMTY   | IC-DA42CMTY | IC-DA54CMTY                      |
|-------------------------------|---|-------------|----------------------------------|
| <b>Operational</b>            |   |             |                                  |
| Image Sensor                  | 1/3" SONY Super HAD CCD Technology                        |             |                                  |
| Number of Effective Pixels    | <u>Effective:</u> NTSC: 510 x 492 / PAL: 500 x 582        |             | NTSC: 768 x 494 / PAL: 752 x 582 |
|                               | <u>Total:</u> NTSC: 537 x505 / PAL: 537 x597              |             | NTSC: 811 x 508/ PAL: 795 x 596  |
| Auto Gain Control (AGC)       | Auto 34dB   |             |                                  |
| Exposure Control              | Auto Iris   |             |                                  |
| Back Light Compensation (BLC) | Auto detect, histogram and 225 areas windows weighted     |             |                                  |
| Electronic Shutter            | 1/50 (60) to 1/100,000 second                             |             |                                  |
| Gamma Correction              | 0.45  |             |                                  |
| White Balance                 | Auto tracking 2500K to 9500K                              |             |                                  |
| Video Output                  | 1Vp-p. 75 Ω BNC Connector                                 |             |                                  |
| Scanning Mode                 | 2:1 interlace scan  |             |                                  |
| Scanning Line                 | NTSC: 525 lines / PAL: 625 lines                          |             |                                  |
| Hor. scanning frequency       | NTSC: 15.734K Hz / PAL: 15.625K Hz                        |             |                                  |
| Ver. scanning frequency       | NTSC: 59.94K Hz / PAL: 50K Hz                             |             |                                  |
| Acceptable IR wavelength      | 100 to 1100nm   |             |                                  |
| Aperture Correction           | Horizontal and Vertical 2H enhancer                       |             |                                  |
| System                        | NTSC / PAL  |             |                                  |
| Lens Mount                    | Ø14mm Board Lens Mount – Key/Screw Type                   |             |                                  |
| Built-in Lens                 | 4-9mm Auto Iris Lens                                      |             |                                  |
| Horizontal Resolution         | 380TVL  | 420TVL      | 540TVL                           |
| Sensitivity (30IRE, SAGC)     | 0.1Lx @ F1.2  |             | 0.5Lx @ F1.2                     |
| <b>Electrical</b>             |   |             |                                  |
| IP Rating                     | IP66  |             |                                  |
| Input Voltage Options         | 12v DC  |             |                                  |
| Power Consumption             | 12v - 120mA   | 12v - 150mA |                                  |
| Synchronization               | 12v DC – Internal   |             |                                  |
| <b>General</b>                |   |             |                                  |
| Operating Temperature         | 10°C to 50°C (14°F to122°F)                               |             |                                  |
| Operating Humidity            | 20% ~ 80% (non compensating)                              |             |                                  |
| Storage Temperature           | -20°C to 70°C (-4°F to158°F)                              |             |                                  |
| Storage Humidity              | 20% ~ 95% (non compensating)                              |             |                                  |
| Construction                  | Cast Aluminum Housing / Beige Finish / Polycarbonate Dome |             |                                  |
| Weight                        | 0.65Kg (1.4 Lbs.)   |             |                                  |

## CMTYA Series Dome Day & Night Medium Dome Camera with Vari Focus Auto Iris lens & Vandal Proof Housing

### REGULATORY:

CE (EN5513, EN50130-4)  
EU: 73/23/EEC LVD  
RoHS Compliant

### ACCESSORIES:

#### Power Supplies

Model #IPS1205E 230v AC 50Hz  
Model #IPS1205E 120v AC 60Hz

