

CTA Series Dome Colour Medium Dome Camera with Vandal Proof Housing

The CTA Dome series comes with a unique Punch to Close design, 3 Axis Gyroscope camera-brace construction, low power consumption and a built-in 3.6mm board lens. Wall or ceiling mount with a clear dome with liner for discretion with no light loss. 350° rotation / 90° tilt. 6 and 8mm lens is optional. The CT1 is IP 66 weatherproof and is available in surface or flush mount design. Optional lenses include 4.3, 6, 8, and 12mm.



IC-DA38CT

1/3" Super HAD SONY CCD
Picture Elements: NTSC 510 x 492, PAL 500 x 582
380 TVL Horizontal Resolution

IC-DA42CT

1/3" Super HAD SONY CCD
Picture Elements: NTSC 510 x 492, PAL 500 x 582
420 TVL Horizontal Resolution

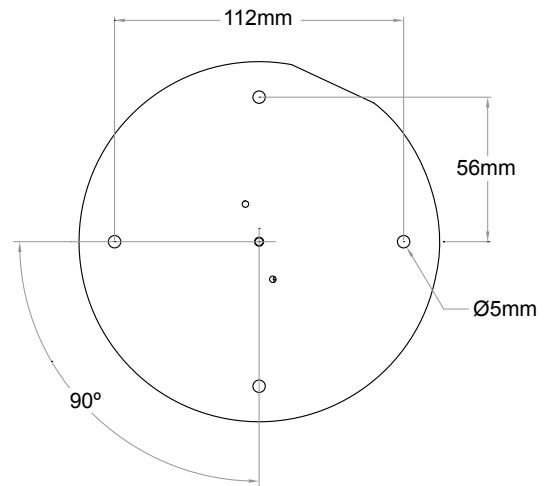
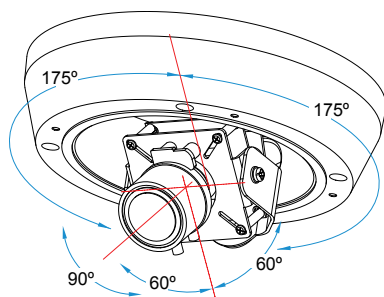
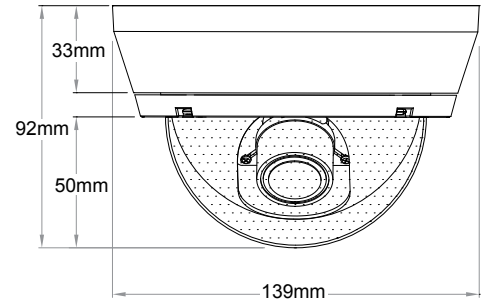
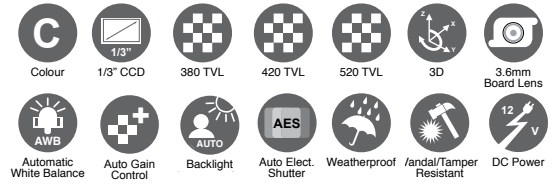
IC-DA54CT

1/3" Super HAD SONY CCD
Picture Elements: NTSC 768 x 494, PAL 752 x 582
540 TVL Horizontal Resolution

NOTE:

The CT Series dome camera comes with a 3.6mm standard lens. Optional 4.3, 6mm 8mm and 12mm lenses are available.*

To assist you in choosing the correct lens option to suit your application please refer to the lens calculator on our web site at: www.i-lax.ca > On-line Tools > Lens Calculator.



ORDERING:

IC-DA38CT Colour Medium Dome Camera with Vandal Proof Housing, 380 TVL, 12v DC

IC-DA42CT Colour Medium Dome Camera with Vandal Proof Housing, 420 TVL, 12v DC

IC-DA54CT Colour Medium Dome Camera with Vandal Proof Housing, 540 TVL, 12v DC

NOTE:

Specify NTSC or PAL when ordering.

* When ordering please specify the lens option you require. If unspecified, the standard 3.6mm lens will be supplied.

Model	IC-DA38CT	IC-DA42CT	IC-DA54CT
Operational			
Image Sensor	1/3" SONY Super HAD CCD Technology		
Number of Effective Pixels	<u>Effective:</u> NTSC: 510 x 492 / PAL: 500 x 582		NTSC: 768 x 494 / PAL: 752 x 582
	<u>Total:</u> NTSC: 537 x505 / PAL: 537 x597		NTSC: 811 x 508/ PAL: 795 x 596
Auto Gain Control (AGC)	Auto 34dB		
Auto Exposure	Auto Electronic Shutter		
Back Light Compensation (BLC)	Auto detect, histogram and 225 areas windows weighted		
Exposure Control	Auto, gamma settings		
Gamma Correction	0.45		
White Balance	Auto tracking 2500K to 9500K		
Video Output	1Vp-p. 75 Ω BNC Connector		
Scanning Mode	2:1 interlace scan		
Scanning Line	NTSC: 525 lines / PAL: 625 lines		
Hor. scanning frequency	NTSC: 15.734K Hz / PAL: 15.625K Hz		
Ver. scanning frequency	NTSC: 59.94K Hz / PAL: 50K Hz		
Acceptable IR wavelength	N/A		
Aperture Correction	Horizontal and Vertical 2H enhancer		
System	NTSC / PAL		
Lens Mount	12Ø Board Lens Mount – Screw Type		
Built-in Lens	3.6mm f2.0 Lens Standard (4.3, 6, 8 & 12mm optional)		
Horizontal Resolution	380TVL	420TVL	540TVL
Sensitivity (30IRE, SAGC)	0.1Lx @ F1.2		0.5Lx. @ F1.2
Electrical			
Input Voltage Options	12v DC		
Power Consumption	12v - 120mA		12v - 150mA
Synchronization	12v DC – Internal		
General			
IP Rating	IP66		
Operating Temperature	10°C to 50°C (14°F to 122°F)		
Operating Humidity	20% ~ 80% (non compensating)		
Storage Temperature	-20°C to 70°C (-4°F to 158°F)		
Storage Humidity	20% ~ 95% (non compensating)		
Construction	Cast Aluminum Housing / Beige Finish / Polycarbonate Dome		
Weight	0.65Kg (1.4 Lbs)		

© i-LAX ELECTRONICS INC. 2009
Specifications are subject to change without notice.
Weights and dimensions may be indicative.
Revised January 2009

CTA Series Dome Colour Medium Dome Camera with Vandal Proof Housing

REGULATORY:

CE (EN5513, EN50130-4)
EU: 73/23/EEC LVD
RoHS Compliant

ACCESSORIES:

Power Supplies

Model #IPS1205E 230v AC 50Hz
Model #IPS1205E 120v AC 60Hz

