

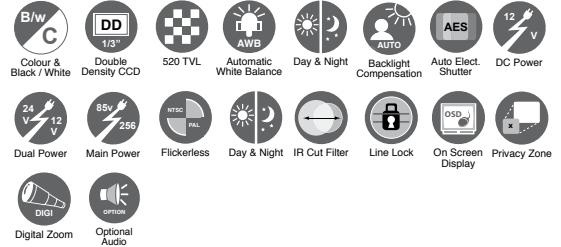
CTWD Series Wide Dynamic Day-Night Camera

The CTWD series is capable of capturing sharp and crisp images not only in the foreground, but also in the light background. When there is a large contrast between lightness and darkness it can still get clear images similar to that of the human eye. With privacy zone (masking) capability and 'On Screen Display' (OSD) this series delivers higher quality images with significantly better dynamic range (120 dB max), and higher frame rates than conventional CCD cameras. The CTWD is ideal for the most arduous of applications.



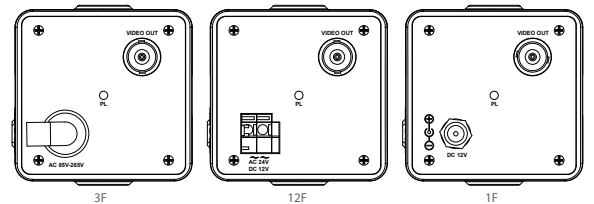
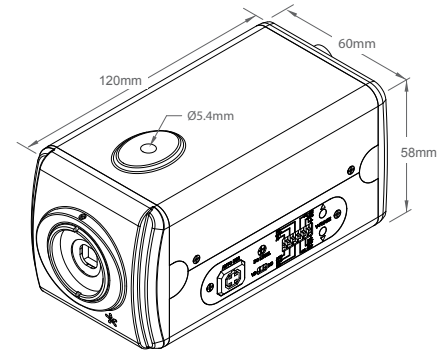
Features:

- Sony Vertical double density CCD
- Dynamic range up to 128X (52dB)
- AGC, BLC, AWB, OSD
- Privacy zone (masking)
- On Screen Display (OSD)
- DC 12V; DC 12V + AC 24V Dual or AC 85~265V (Switching Power) (optional)
- Day & Night function (optional)
- Audio Function (optional)



IC-N58CTWD-1F / 12F / 3F

Picture Elements: NTSC 768 x 494, PAL 752 x 582
Horizontal Resolution: 550 TVL



ORDERING:

IC-N58CTWD1F Wide Dynamic Day/Night Box Camera, 550 TVL, 12v DC

IC-N58CTWD12F Wide Dynamic Day/Night Box Camera, 550 TVL, 12v DC/24v AC

IC-N58CTWD3F Wide Dynamic Day/Night Box Camera, 550 TVL, 185 ~ 265 AC

NOTE:

Indicate if Audio Option is required.

Specify NTSC or PAL when orderin

Model	IC-N58CTWD
Operational	
Image Sensor	1/3 " Vertical double density interline CCD
Number of Effective Pixels	<u>Effective</u> : NTSC: 768 x 494 / PAL: 752 x 582 <u>Total</u> : NTSC: 811 x 508/ PAL: 795 x 596
Auto Gain Control (AGC)	DIP Switch 42dB
Auto Exposure	AE / AI Switchable
Auto Iris Shutter	NTSC: 1/60 sec. – PAL: 1/50 sec.
Auto Iris Lens	DC / Video Servo Switchable
Back Light Compensation (BLC)	Auto detect, histogram and 225 areas windows weighted
Electronic Shutter	1/50 (60) to 1/100,000 second
Exposure Control	Auto, gamma settings
Gamma Correction	0.45
White Balance	Auto tracking 2500K to 9500K
Flickerless	On / Off Switchable
Dynamic Range	Up to 128x
Lens Mount	C and CS Mount
Video Output	1Vp-p. 75 Ω composite BNC connector
Scanning Mode	2:1 interlace scan
Scanning Line	NTSC: 525 lines / PAL: 625 lines
Hor. scanning frequency	NTSC: 15.734K Hz / PAL: 15.625K Hz
Ver. scanning frequency	NTSC: 59.94K Hz / PAL: 50K Hz
Acceptable IR wavelength	100 to 1100nm (with night mode on)
Aperture Correction	Horizontal and Vertical 2H enhancer
System	NTSC / PAL
Horizontal Resolution	550TVL (colour), 570 (B&W)
Sensitivity (30IRE, f1.2, SAGC)	0.04Lx (colour), 0.05Lx (B&W)
Electrical	
Input Voltage Options	12v DC / 12v DC and 24v AC / 85v ~ 265v AC
Power Consumption	12v - 180mA, 12v DC ~ 24v AC – 3w, 85v ~ 265v AC3w
Synchronization	12v DC – Internal / 24v AC & 85v ~ 265v AC Line-lock
General	
Operating Temperature	10°C to 50°C (14°F to 122°F)
Operating Humidity	20% ~ 80% (non compensating)
Storage Temperature	-20°C to 70°C (-4°F to 158°F)
Storage Humidity	20% ~ 95% (non compensating)
Construction	Aluminum Housing / Beige Powder Coat
Weight	0.55Kg (1.2 Lb)

CTWD Series Wide Dynamic Day-Night Camera

REGULATORY:

CE (EN5513, EN50130-4)
EU: 73/23/EEC LVD
RoHS Compliant

ACCESSORIES:

Housing and Mounts

Model #I-WBM Wall Mount
Model #I-WBJ Wall Mount
Model #I-WBCLA Wall Mount
Model #I-WBCD Swivel Mount

Power Supplies

Model #IPS1205E 230v AC 50Hz
Model #IPS1205E 120v AC 60Hz

