

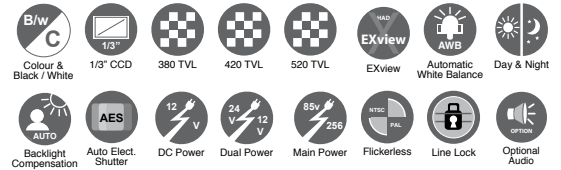
**CTX Series Ex-view Day & Night Analogue Cameras**

With exceptional low light performance our CTX series combines Sony's Ex-view technology with the dependability and reliability you would expect from i-Lax. The CTX Series is capable of providing the highest quality colour video in both daylight and very low light environments.



**Features:**

- 1/3" Sony Ex-view HAD CCD Technology
- CRR Enhancement
- AGC, BLC, AWB
- Day & Night Function
- DC 12V; DC 12V + AC 24V Dual or AC 85~265V Switching Power) (optional)
- Audio Function (optional)



**IC-N38CTEX-1F / 12F / 3F**

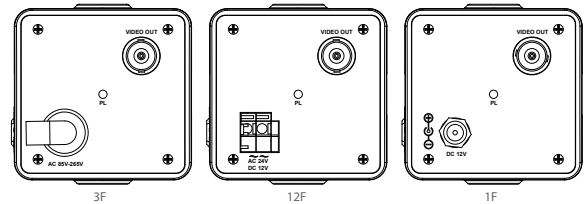
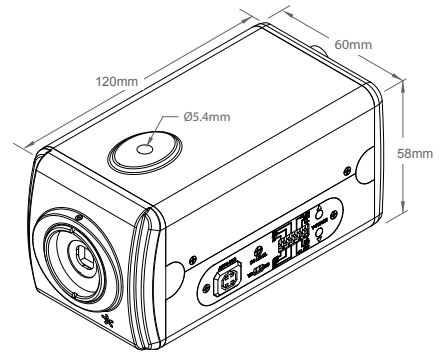
Picture Elements: NTSC 510 x 492, PAL 500 x 582  
Horizontal Resolution: 380 TVL

**IC-N42CTEX-1F / 12F / 3F**

Picture Elements: NTSC 510 x 492, PAL 500 x 582  
Horizontal Resolution: 420 TVL Colour (450 TVL B & W)

**IC-N54CTEX-1F / 12F / 3F**

Picture Elements: NTSC 768 x 494, PAL 752 x 582  
Horizontal Resolution: 520 TVL Colour (570 TVL B & W)



**ORDERING:**

- IC-N38CTX1F** Ex-view Day & Night Box Camera, 380 TVL, 12v DC  
**IC-N42CTX1F** Ex-view Day & Night Box Camera, 420 TVL, 12v DC  
**IC-N52CTX1F** Ex-view Day & Night Box Camera, 540 TVL, 12v DC

- IC-N38CTX12F** Ex-view Day & Night Box Camera, 380 TVL, 12v/24v AC DC  
**IC-N42CTX12F** Ex-view Day & Night Box Camera, 420 TVL, 12v DC/24v AC  
**IC-N54CTX12F** Ex-view Day & Night Box Camera, 540 TVL, 12v DC/24v AC

- IC-N38CTX3F** Ex-view Day & Night Box Camera, 380 TVL, 185 ~ 265 AC  
**IC-N42CTX3F** Ex-view Day & Night Box Camera, 420 TVL, 185 ~ 265 AC  
**IC-N54CTX3F** Ex-view Day & Night Box Camera, 540 TVL, 185 ~ 265 AC

**NOTE:**

Indicate if Audio Option is required.  
Specify NTSC or PAL when ordering

Model	IC-N38CTX	IC-N42CTX	IC-N54CTX
<b>Operational</b>			
Image Sensor	1/3 Sony Ex-view HAD CCD Technology		
Number of Effective Pixels	<u>Effective:</u> NTSC: 510 x 492 / PAL: 500 x 582 <u>Total:</u> NTSC: 537 x505 / PAL: 537 x597		NTSC: 768 x 494 / PAL: 752 x 582 NTSC: 811 x 508/ PAL: 795 x 596
Auto Gain Control (AGC)	DIP Switch 34dB		
Auto Exposure	AE / AI Switchable		
Auto Iris Shutter	NTSC: 1/60 sec. – PAL: 1/50 sec.		
Auto Iris Lens	DC / Video Servo Switchable		
Back Light Compensation (BLC)	Auto detect, histogram and 225 areas windows weighted		
Electronic Shutter	1/50 (60) to 1/100,000 second		
Exposure Control	Auto, gamma settings		
Gamma Correction	0.45		
White Balance	Auto tracking 2500K to 9500K		
Flickerless	On / Off Switchable		
Digital Zoom	N/A		
On-Screen Display (OSD)	N/A		
Lens Mount	C and CS Mount		
Video Output	1Vp-p. 75 Ω composite BNC connector		
Scanning Mode	2:1 interlace scan		
Scanning Line	NTSC: 525 lines / PAL: 625 lines		
Hor. scanning frequency	NTSC: 15.734K Hz / PAL: 15.625K Hz		
Ver. scanning frequency	NTSC: 59.94K Hz / PAL: 50K Hz		
Acceptable IR wavelength	100 to 1100nm		
Aperture Correction	Horizontal and Vertical 2H enhancer		
System	NTSC / PAL		
Horizontal Resolution	380TVL (Colour), 400 TVL (B&W)	420TVL (Colour), 450 TVL (B&W)	540TVL (Colour), 570 (B&W)
Sensitivity (30IRE, f1.2, SAGC)	0.05Lx (Colour), 0.01Lx (B&W)		0.3Lx (Colour), 0.05Lx (B&W)
<b>Electrical</b>			
Input Voltage Options	12v DC / 12v DC and 24v AC / 85v ~ 265v AC		
Power Consumption	12v - 140mA 12v DC ~ 24v AC – 1.94w 85v ~ 265v AC – 1.94w	12v - 150mA 12v DC ~ 24v AC – 2.15w 85v ~ 265v AC – 2.15w	12v - 170mA 12v DC ~ 24v AC – 2.45w 85v ~ 265v AC – 2.45w
Synchronization	12v DC – Internal / 24v AC & 85v ~ 265v AC Line-lock		
<b>General</b>			
Operating Temperature	10°C to 50°C (14°F to 122°F)		
Operating Humidity	20% ~ 80% (non compensating)		
Storage Temperature	-20°C to 70°C (-4°F to 158°F)		
Storage Humidity	20% ~ 95% (non compensating)		
Construction	Aluminum Housing / Beige Powder Coat		
Weight	0.55Kg (1.2 Lb)		

## CTX Series Ex-view Day & Night Analogue Cameras

### REGULATORY:

CE (EN5513, EN50130-4)  
EU: 73/23/EEC LVD  
RoHS Compliant

### ACCESSORIES:

#### Housing and Mounts

Model #I-WBM Wall Mount  
Model #I-WBJ Wall Mount  
Model #I-WBCLA Wall Mount  
Model #I-WBCD Swivel Mount

*see catalogue for more details*

#### Power Supplies

Model #IPS1205E 230v AC 50Hz  
Model #IPS1205E 120v AC 60Hz

