

CTYA Series Dome Colour Medium Dome Camera with Vari Focus Auto Iris Lens & Vandal Proof Housing

The CTYA Dome series with Vari-Focal, Auto Iris lens comes with a unique Punch to Close design, 3 Axis Gyroscope camera-brace construction, low power consumption and a built-in 4 ~ 9mm VariFocal lens. Wall or ceiling mount with a clear dome with liner for discretion with no light loss. 350° rotation / 90° tilt. 6.8mm lens. The CTY is IP 66 weath-erproof and is available in surface or flush mount design.



IC-DA38CTY

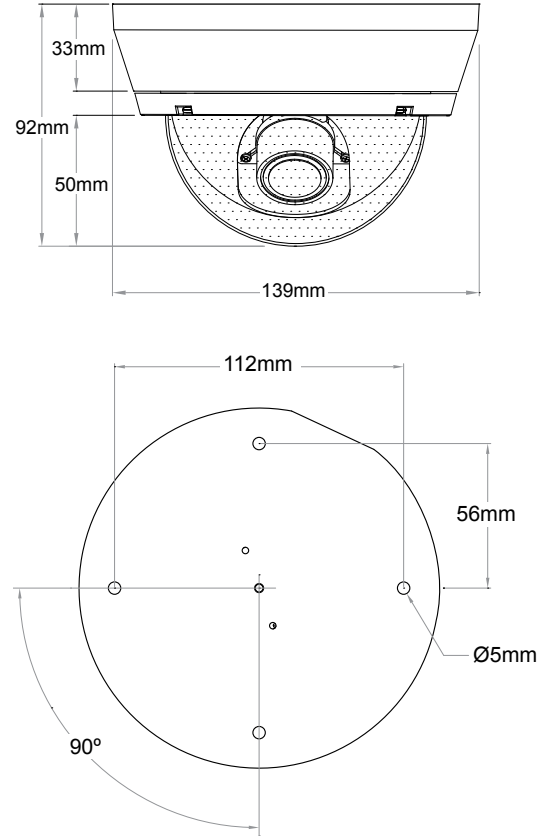
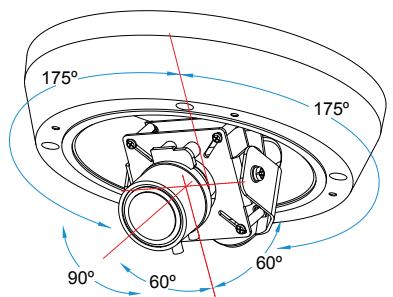
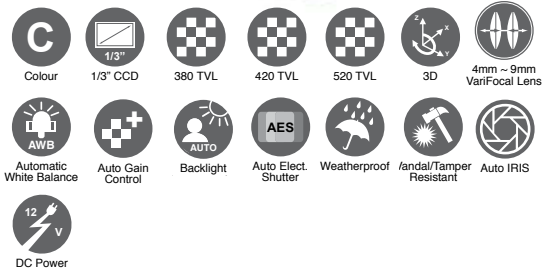
1/3" Super HAD SONY CCD
Picture Elements: NTSC 510 x 492, PAL 500 x 582
380 TVL Horizontal Resolution

IC-DA42CTY

1/3" Super HAD SONY CCD
Picture Elements: NTSC 510 x 492, PAL 500 x 582
420 TVL Horizontal Resolution

IC-DA54CTY

1/3" Super HAD SONY CCD
Picture Elements: NTSC 768 x 494, PAL 752 x 582
540 TVL Horizontal Resolution



ORDERING:

IC-DA38CTY Colour Medium Dome Camera with Vandal Proof Housing & Vari Focus Lens, 380 TVL, 12v DC

IC-DA42CTY Colour Medium Dome Camera with Vandal Proof Housing & Vari Focus Lens, 420 TVL, 12v DC

IC-DA54CTY Colour Medium Dome Camera with Vandal Proof Housing & Vari Focus Lens, 540 TVL, 12v DC

NOTE:

Specify NTSC or PAL when ordering.

Model	IC-DA38CTY	IC-DA42CTY	IC-DA54CTY
Operational			
Image Sensor	1/3" SONY Super HAD CCD Technology		
Number of Effective Pixels	<u>Effective:</u> NTSC: 510 x 492 / PAL: 500 x 582		NTSC: 768 x 494 / PAL: 752 x 582
	<u>Total:</u> NTSC: 537 x505 / PAL: 537 x597		NTSC: 811 x 508/ PAL: 795 x 596
Auto Gain Control (AGC)	Auto 34dB		
Exposure Control	Auto Iris		
Back Light Compensation (BLC)	Auto detect, histogram and 225 areas windows weighted		
Electronic Shutter	1/50 (60) to 1/100,000 second		
Gamma Correction	0.45		
White Balance	Auto tracking 2500K to 9500K		
Video Output	1Vp-p. 75 Ω BNC Connector		
Scanning Mode	2:1 interface scan		
Scanning Line	NTSC: 525 lines / PAL: 625 lines		
Hor. scanning frequency	NTSC: 15.734K Hz / PAL: 15.625K Hz		
Ver. scanning frequency	NTSC: 59.94K Hz / PAL: 50K Hz		
Acceptable IR wavelength	N/A		
Aperture Correction	Horizontal and Vertical 2H enhancer		
System	NTSC / PAL		
Lens Mount	Ø14mm Board Lens Mount – Key/Screw Type		
Built-in Lens	4-9mm Auto Iris Lens		
Horizontal Resolution	380TVL	420TVL	540TVL
Sensitivity (30IRE, SAGC)	0.1Lx @ F1.2		0.5Lx. @ F1.2
Electrical			
IP Rating	IP66		
Input Voltage Options	12v DC		
Power Consumption	12v - 120mA		12v - 150mA
Synchronization	12v DC – Internal		
General			
Operating Temperature	10°C to 50°C (14°F to 122°F)		
Operating Humidity	20% ~ 80% (non compensating)		
Storage Temperature	-20°C to 70°C (-4°F to 158°F)		
Storage Humidity	20% ~ 95% (non compensating)		
Construction	Cast Aluminum Housing / Beige Finish / Polycarbonate Dome		
Weight	0.65Kg (1.4 Lbs.)		

© i-LAX ELECTRONICS INC. 2009
Specifications are subject to change without notice.
Weights and dimensions may be indicative.
Revised January 2009

CTYA Dome Series Colour Medium Camera with Vandal Proof Housing & Vari Focus Auto Iris lens

REGULATORY:

CE (EN5513, EN50130-4)
EU: 73/23/EEC LVD
RoHS Compliant

ACCESSORIES:

Power Supplies

Model #IPS1205E 230v AC 50Hz
Model #IPS1205E 120v AC 60Hz

