

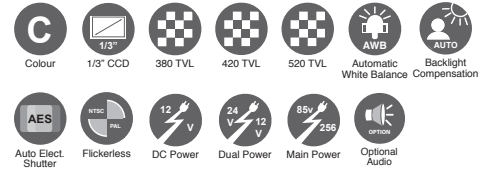
CT Series Full Function Colour Analogue Cameras

The high resolution CT series offers a high quality solution combined with full functionality that makes this highly adaptable series well suited to a wide range of applications.



Features:

- 1/3" SONY Super HAD CCD
- AGC, BLC, AWB
- CRR Enhancement
- DC 12V, AC 24V Dual or AC 85~265V (Switching Power Supply)
- Audio Function (*optional*)

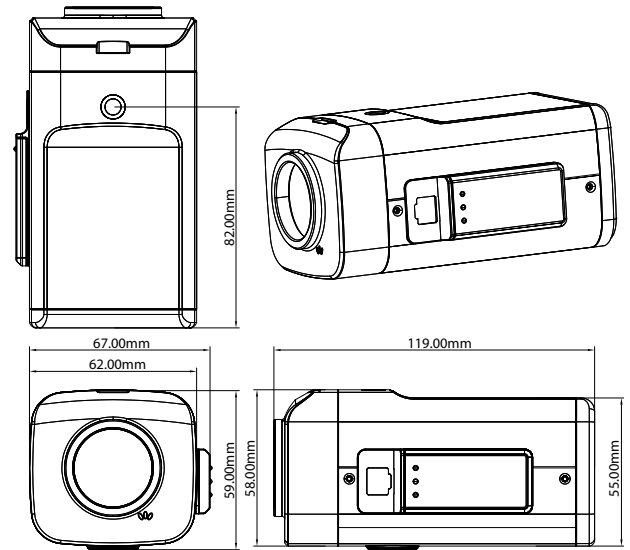


IC-N42CT-12F / 3F

Picture Elements: NTSC 510 x 492, PAL 500 x 582
Horizontal Resolution: 420 TVL

IC-N54CT-12F / 3F

Picture Elements: NTSC 768 x 494, PAL 752 x 582
Horizontal Resolution: 540 TVL



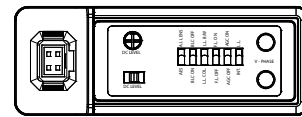
ORDERING:

IC-N42CT12F Colour Box Colour Camera, 420 TVL, 12v DC/24v AC
IC-N54CT12F Colour Box Colour Camera, 540 TVL, 12v DC/24v AC

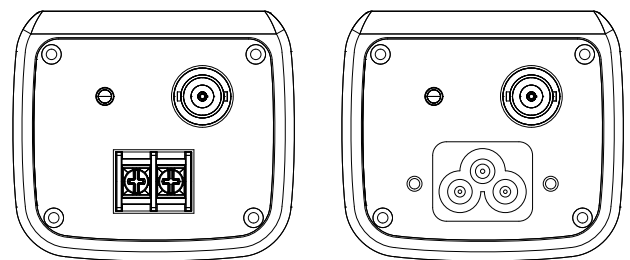
IC-N42CT3F Colour Box Colour Camera, 420 TVL, 185 ~ 265 AC
IC-N54CT3F Colour Box Colour Camera, 540 TVL, 185 ~ 265 AC

NOTE:

*Indicate if Audio Option is required.
Specify NTSC or PAL when ordering.*



Side Interface



12F

3F

Model	IC-N42CMT12	IC-N42CMT3	IC-N54CMT12	IC-N54CMT3
Operational				
Image	Sensor 1/3" SONY Super HAD CCD Technology			
Number of Effective Pixels	Effective: NTSC: 510 x 492 / PAL: 500 x 582 Total: NTSC: 537 x505 / PAL: 537 x597		NTSC: 768 x 494 / PAL: 752 x 582 NTSC: 811 x 508/ PAL: 795 x 596	
Auto Gain Control (AGC)	DIP SWITCH 34dB			
Exposure Control	AE / AI Switchable			
Auto Iris Shutter	NTSC: 1/60 sec. - PAL: 1/50 sec.			
Auto Iris Lens	DC / Video Servo Switchable			
Back Light Compensation (BLC)	Auto detect, histogram and 225 areas windows weighted			
Electronic Shutter	1/50 (60) to 1/100,000 second			
Exposure Control	Auto, gamma setting			
Gamma Correction	0.45			
White Balance	Auto tracking 2500K to 9500K			
Flickerless	ON / OFF Switchable			
Digital Zoom	N/A			
On-Screen Display (OSD)	N/A			
Lens Mount	C and CS Mount			
Video Output	1Vp-p. 75 BNC Connector			
Scanning Mode	2:1 interlace scan			
Scanning Line	NTSC: 525 lines / PAL: 625 lines			
Hor. scanning frequency	NTSC: 15.734K Hz / PAL: 15.625K Hz			
Ver. scanning frequency	NTSC: 59.94K Hz / PAL: 50K Hz			
Acceptable IR wavelength	N/A			
Aperture Correction	Horizontal and Vertical 2H enhancer			
System	NTSC / PAL			
Horizontal Resolution	420TVL		540TVL	
Sensitivity(30IRE, SAGC)	0.1Lux @ F1.2		0.5Lux @ F1.2	
Electrical				
Input Voltage Options	12v DC / 24v AC 50-60Hz	85v ~ 265v AC 50-60 Hz	12v DC / 24v AC 50-60Hz	85v ~ 265v AC 50-60 Hz
Approximate Power Consumption	2.15Watt		2.45Watt	
Synchronization	Internal / Line-Lock			
General				
Operating Temperature	-20°C to +60°C (4°F to 140°F)			
Operating Humidity	20% ~ 80% (non compensating)			
Storage Temperature	-20°C to +80°C (4°F to 176°F)			
Storage Humidity	20% ~ 95% (non compensating)			
Construction	Aluminium Housing; Black Colour, Powder Coated			
Weight	approximate, 0.6Kg			

Specifications are subject to change without notice.
Weights and dimensions may be indicative.

CT Series Full Function Colour Analogue Cameras

REGULATORY:

CE (EN5513, EN50130-4)
EU: 73/23/EEC LVD
RoHS Compliant

ACCESSORIES:

Housing and Mounts

Model #I-WBM Wall Mount
Model #I-WBJ Wall Mount
Model #I-WBCLA Wall Mount
Model #I-WBCD Swivel Mount

Power Supplies

Model #IPS1205E 230v AC 50Hz
Model #IPS1205E 120v AC 60Hz

© i-LAX ELECTRONICS INC. 2011
Specifications are subject to change without notice.
Weights and dimensions may be indicative.
Revised August 2011

Statement:

Products mentioned in this specification sheet (IC-N42CMT12, IC-N42CMT3, IC-N54CMT12 & IC-N54CMT3) have been designed and manufactured in i-Lax Electronics Inc. facility which is located in The Province of Ontario, Canada.

Proudly
Made in Canada

