

CT Series Full Function Colour IP Cameras

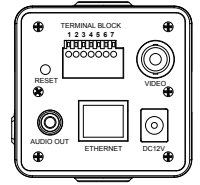
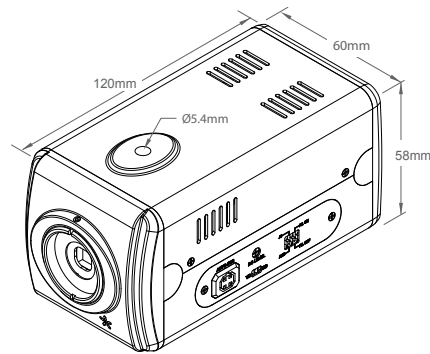
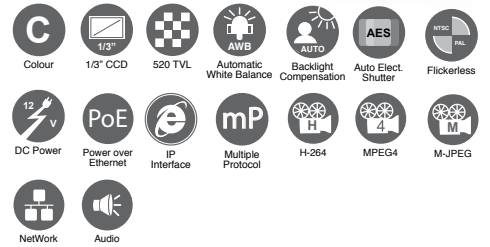
The high resolution CT series offers a high quality solution combined with full functionality that makes this highly adaptable series well suited to a wide range of applications.

Features:

- 1/3" SONY Super HAD CCD
- AGC, BLC, AWB
- CRR Enhancement
- H.264, MPEG4 & MJPEG Simultaneous (Tri-encoder) Compression
- Comprehensive I/O ports including, Audio in/out, DI/DO, RS485, RJ45 & Composite or Digital Video Output
- Supports various protocols including RTSP, UPnP, Samba, Multi-cast, Unicast and others
- Audio Function with G.711 / G.726 Compression
- 1F for 12v DC - 2F for POE

IC-LN54CT-1F / 2F

Picture Elements: NTSC 768 x 494, PAL 752 x 582
Horizontal Resolution: 540 TVL



ORDERING:

- IC-LN54CT-1F** Colour IP Box Camera, 540 TVL, 12v DC
- IC-LN54CT-2F** Colour IP Box Camera, 540 TVL, PoE(12v DC)

NOTE:

Indicate if Audio Option is required.
Specify NTSC or PAL when ordering.

Model		IC-LN54CT	IC-LN54CMT	IC-LN54CMTR	IC-LN54CMTXR	IC-LN54CTEX
Camera						
Image Sensor		1/3" SONY Super HAD CCD Technology			1/3 Sony Ex-view HAD CCD Technology	
Number of Effective Pixels	Effective	NTSC: 768 x 494 / PAL: 752 x 582 NTSC: 811 x 508/ PAL: 795 x 596				
	Total					
Auto gain control (AGC)		DIP switch 34dB				
Auto exposure		AE / AI switchable				
Auto iris shutter		AI NTSC: 1/60 second / PAL 1/50 second				
Auto iris lens		DC / video servo switchable				
Back light compensation		Auto detect, histogram and 225 areas windows weighted				
Electronic shutter		AES 1/50 (60) to 1/100,000 second				
Exposure control		AI or AES				
Flicker less		ON / OFF switchable				
Gamma correction		0.45				
White balance		Auto tracking 2500K to 9500K				
Scanning line		NTSC: 525 lines / PAL: 625 lines				
Hor. scanning frequency		NTSC: 15.734K Hertz / PAL: 15.625K Hertz				
Ver. scanning frequency		NTSC: 59.94K Hertz / PAL: 50K Hertz				
Acceptable IR wavelength		N/A	100 to 1100nm			
Aperture Correction		Horizontal and vertical 2H enhancer				
Mechanical infrared-cut filter		N/A	9 zones intelligent brightness/time counter detection			N/A
Signal system		NTSC / PAL				
Horizontal resolution		540 TV line				
Sensitivity (30IRE, SAGC)		Color: 0.5 lx	Color: 0.5 lx. / Black&White:0.08 lx.		Color: 0.3 lx. / Black&White:0.05 lx.	
IP						
Compression format		MJPEG/MPEG4/H.264 simultaneously				
Video input		ITU-CCIR 656 digital input				
Video encoder		H.264/MPEG4/MJPEG				
Video resolution		QCIF: 176 x 144 / CIF: 352 x 288 / 4CIF (D1): 704 x 576				
Maximum frame rate		30fps for each video profile				
3GPP support		Yes				
Video streaming		Multi-video format streaming simultaneously				
Integrated motion detection		Yes				
Multicast streaming support		Yes				
Video buffer		Pre and post alarm buffering				
Maximum access		Up to 20 simultaneous unicast users and unlimited on multicast mode				
Audio compression		G.711/G.726				
Network		10 base-T/100base-TX auto negotiation				
Protocols		TCP, UDP, HTTP, SMTP, FTP, NTP, DNS, DDNS, DHCP, ARP, Bonjour, UpNP, RTSP, RTP, RTCP, PPoE, 3GPP, Samba, ICMP				
Interface						
Lens mount		C or CS mount				
Video output		1Vp-p. 75 Ω composite BNC connector				
Serial Interface		RS-485				
I/O port		Sensor in x1 Alarm out x1				
Audio line output		Mini-jack (monaural)Max output level: 1Vrms				
Alarm out		FTP/EMAIL/external alarm out/PTZ preset point/audio out				
Electrical						
Operating temperature		0°C ~ +50°C (32°F ~ 122°F)				
Storage temperature		-20°C ~ +70°C (-4°F ~ 158°F)				
Weight		Approximately 0.6 kg				

CT Series Full Function Colour IP Cameras

REGULATORY:

CE (EN5513, EN50130-4)
EU: 73/23/EEC LVD
RoHS Compliant

ACCESSORIES:

Housing and Mounts

Model #I-WBM Wall Mount
Model #I-WBJ Wall Mount
Model #I-WBCLA Wall Mount
Model #I-WBCD Swivel Mount

Power Supplies

Model #IPS1205E 230v AC 50Hz
Model #IPS1205E 120v AC 60Hz

