

VM Series Miniature Cameras

With Digital Signal Processing (DSP), Auto-Trace white balance the VM Miniature series of cameras with up to 1/100,000 sec. shutter speed and is available in either Colour of Day & Night versions This camera comes in a board lens or pin-hole lens configurations and is an ideal choice when you need high performance combined with an ultra compact size.

IC-VM38CT-B / IC-VM38CMT-B

1/3" SONY CCD
Picture Elements: NTSC - 510 x 492, PAL - 500 x 582
3.6mm Board Lens
380 TVL Horizontal Resolution

IC-VM42CT-B / IC-VM42CMT-B

1/3" HAD CCD
Picture Elements: NTSC - 510 x 492, PAL - 500 x 582
3.6mm Board Lens
420 TVL Horizontal Resolution

IC-VM54CT-B / IC-VM42CMT-B

1/3" HAD CCD
Picture Elements: NTSC - 768 x 494, PAL - 752 x 582
3.6mm Board Lens
540 TVL Horizontal Resolution

IC-VM38CT-P / IC-VM38CMT-P

1/3" SONY CCD
Picture Elements: NTSC - 510 x 492, PAL - 500 x 582
3.7mm Pin Hole Lens
380 TVL Horizontal Resolution

IC-VM42CT-P / IC-VM42CMT-P

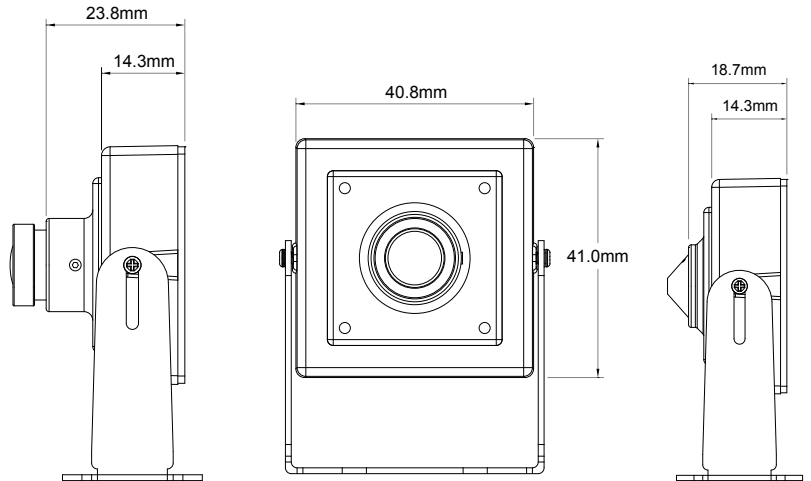
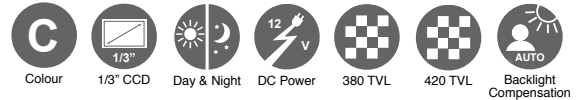
1/3" HAD CCD
Picture Elements: NTSC - 510 x 492, PAL - 500 x 582
3.7mm Pin Hole Lens
420 TVL Horizontal Resolution

IC-VM54CT-P / IC-VM42CMT-P

1/3" HAD CCD
Picture Elements: NTSC - 768 x 494, PAL - 752 x 582
3.7mm Pin Hole Lens
540 TVL Horizontal Resolution

ORDERING:

- IC-VM38CT-B** Colour Miniature Camera, 380 TVL, Board Lens, 12v DC,
- IC-VM42CT-B** Colour Miniature Camera, 420 TVL, Board Lens, 12v DC,
- IC-VM54CT-B** Colour Miniature Camera, 540 TVL, Board Lens, 12v DC,
- IC-VM38CT-P** Colour Miniature Camera, 380 TVL, Pin Hole Lens, 12v DC,
- IC-VM42CT-P** Colour Miniature Camera, 420 TVL, Pin Hole Lens, 12v DC,
- IC-VM54CT-P** Colour Miniature Camera, 540 TVL, Pin Hole Lens, 12v DC,
- IC-VM38CMT-B** Day & Night Miniature Camera, 380 TVL, Board Lens, 12v DC,
- IC-VM42CMT-B** Day & Night Miniature Camera, 420 TVL, Board Lens, 12v DC,
- IC-VM54CMT-B** Day & Night Miniature Camera, 540 TVL, Board Lens, 12v DC,
- IC-VM38CMT-P** Day & Night Miniature Camera, 380 TVL, Pin Hole Lens, 12v DC,
- IC-VM42CMT-P** Day & Night Miniature Camera, 420 TVL, Pin Hole Lens, 12v DC,
- IC-VM54CMT-P** Day & Night Miniature Camera, 540 TVL, Pin Hole Lens, 12v DC,



NOTE:

Both the pin-hole and board lens cameras come with a 3.7mm standard lens.

Optional 4.3, 6mm 8mm and 12mm lenses are available for the board lens camera only.*

To assist you in choosing the correct lens option to suit your application please refer to the lens calculator on our web site at:
www.i-lax.ca > On-line Tools > Lens Calculator.

Indicate if Audio Option is required.
Specify NTSC or PAL when ordering.

* When ordering please specify the lens option you require. If unspecified, the standard 3.6mm lens will be supplied

Model	IC-VM38CT	IC-VM38CMT	IC-VM42CT	IC-VM42CMT	IC-VM54CT	IC-VM54CMT
Operational						
Image Sensor	1/3" SONY Super HAD CCD Technology					
Number of Effective Pixels	<u>Effective:</u> NTSC: 510 x 492 / PAL: 500 x 582			NTSC: 768 x 494 / PAL: 752 x 582		
	<u>Total:</u> NTSC: 537 x505 / PAL: 537 x597			NTSC: 811 x 508/ PAL: 795 x 596		
Auto Gain Control (AGC)	Auto (max. 34dB)					
Exposure Control	AES					
Back Light Compensation (BLC)	Auto detect, histogram and 225 areas windows weighted					
Electronic Shutter	1/50 (60) to 1/100,000 second					
Gamma Correction	0.45					
White Balance	Auto tracking 2500K to 9500K					
Video Output	1Vp-p. 75 Ω BNC Connector					
Scanning Mode	2:1 interlace scan					
Scanning Line	NTSC: 525 lines / PAL: 625 lines					
Hor. scanning frequency	NTSC: 15.734K Hz / PAL: 15.625K Hz					
Ver. scanning frequency	NTSC: 59.94K Hz / PAL: 50K Hz					
Acceptable IR wavelength	N/A	100 to 1100nm	N/A	100 to 1100nm	N/A	100 to 1100nm
Aperture Correction	Horizontal and Vertical 2H enhancer					
System	NTSC / PAL					
Lens Mount	12mmØ Board Lens Mount – Screw Type					
Built-in Lens	Lenses are available in Cone type pin hole lens 3.7mm or Board lens 3.6mm (f2.0)					
Horizontal Resolution	380TVL		420TVL		540TVL	
Sensitivity (30IRE, SAGC)	Color	0.1 lx @ F1.2			0.5 lx @ F1.2	
	B/W	0.03 lx @ F1.2		0.03 lx @ F1.2		0.08 lx @ F1.2
Electrical						
Input Voltage Options	12v DC					
Power Consumption	12v - 120mA		12v - 150mA			
	270mA when IR illuminator on		290mA when IR illuminator on			
Synchronization	12v DC – Internal					
General						
Operating Temperature	10°C to 50°C (14°F to 122°F)					
Operating Humidity	20% ~ 80% (non compensating)					
Storage Temperature	-20°C to 70°C (-4°F to 158°F)					
Storage Humidity	20% ~ 95% (non compensating)					
Construction	Cast Aluminum Housing / Black Finish					
Weight	0.35Kg (0.77 Lbs.)					

VM Series Miniature Cameras

© i-LAX ELECTRONICS INC. 2009
Specifications are subject to change without notice.
Weights and dimensions may be indicative.
Revised January 2009

