

DIA-CMTRY Series Day & Night Vandal Proof Dome Cameras with IR Cut Filter and LED IR Illuminator

The DIA-CMTRY Series is a discreet, vandal proof dome-style colour camera that features a 3 Axis Gyroscopic camera holder construction, special Punch to Cross cover design, high performance LEDs built in and an effective IR range of up to 82 feet (25 metres). Comes in both surface and flush mount type and a standard 4 ~ 9mm VariFocal lens.

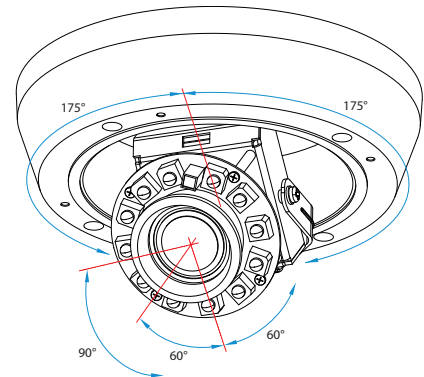
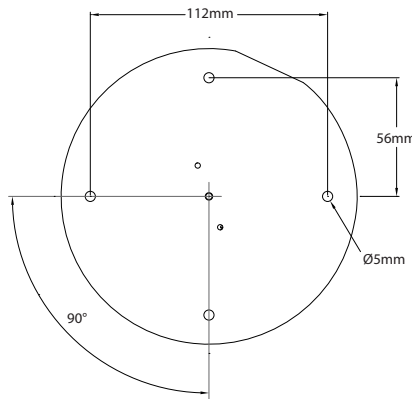
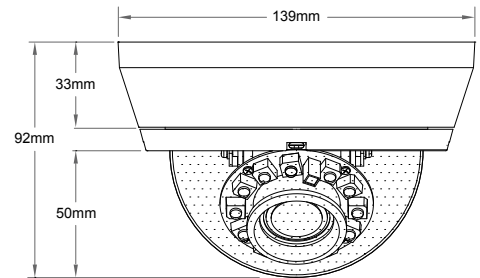
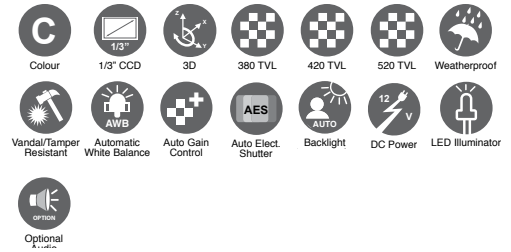


IC-DIA42CMTRY

1/3" Super HAD SONY CCD
 420 TVL Horizontal Resolution
 Minimum illumination @ f1.2: 0..05 Lux at IR off
 IR Distance up to 20m (66 ft)*

IC-DIA52CMTRY

1/3" Super HAD SONY CCD
 540 TVL Horizontal Resolution
 Minimum illumination @ f1.2: 0..05 Lux at IR off
 IR Distance up to 20m (66 ft)*



ORDERING:

- IC-DIA38CMTY** Medium Dome Camera w/ vandal Proof Housing & IR Illuminator, 380 TVL, 12v DC
- IC-DIA42CMTY** Medium Dome Camera w/ vandal Proof Housing & IR Illuminator, 420 TVL, 12v DC
- IC-DIA52CMTY** Medium Dome Camera w/ vandal Proof Housing & IR Illuminator, 520 TVL, 12v DC

NOTE:

Specify NTSC or PAL when ordering.

Model	IC-DAI38CMTY	IC-DIA42CMTY	IC-DAI52CMTY
Operational			
Image Sensor	1/3" SONY Super HAD CCD Technology		
Number of Effective Pixels	<u>Effective:</u> NTSC: 510 x 492 / PAL: 500 x 582		NTSC: 768 x 494 / PAL: 752 x 582
	<u>Total:</u> NTSC: 537 x505 / PAL: 537 x597		NTSC: 811 x 508/ PAL: 795 x 596
Auto Gain Control (AGC)	Auto 34dB		
Exposure Control	Auto Iris		
Back Light Compensation (BLC)	Auto detect, histogram and 225 areas windows weighted		
Electronic Shutter	1/50 (60) to 1/100,000 second		
Gamma Correction	0.45		
White Balance	Auto tracking 2500K to 9500K		
IR LED	12 pieces cat-eyes 850nm infrared illuminator		
Video Output	1Vp-p. 75 Ω BNC Connector		
Scanning Mode	2:1 interlace scan		
Scanning Line	NTSC: 525 lines / PAL: 625 lines		
Hor. scanning frequency	NTSC: 15.734K Hz / PAL: 15.625K Hz		
Ver. scanning frequency	NTSC: 59.94K Hz / PAL: 50K Hz		
Acceptable IR wavelength	100 to 1100nm		
Aperture Correction	Horizontal and Vertical 2H enhancer		
System	NTSC / PAL		
Lens Mount	14Ø Board Lens Mount – Key/Screw Type		
Built-in Lens	4-9mm Auto Iris Lens		
Horizontal Resolution	380TVL	420TVL	520TVL
Sensitivity (30IRE, SAGC)	Color: 0.1 lx @ f1.2		Color: 0.5 lx @ f1.2
	Black&White:0.03 lx @ f1.2		Black&White:0.08 lx @ f1.2
Electrical			
Input Voltage Options	12v DC		
Power Consumption	12v - 120mA		12v - 150mA
	270mA when IR illuminator on		290mA when IR illuminator on
Synchronization	12v DC – Internal		
General			
IP Rating	IP66		
Operating Temperature	10°C to 50°C (14°F to 122°F)		
Operating Humidity	20% ~ 80% (non compensating)		
Storage Temperature	-20°C to 70°C (-4°F to 158°F)		
Storage Humidity	20% ~ 95% (non compensating)		
Construction	Cast Aluminum Housing / Beige Finish / Polycarbonate Dome		
Weight	0.65kg (1.4Lbs.)		

DIA-CMTRY Series Day & Night Vandal Proof Dome Cameras with IR Cut Filter and LED IR Illuminator

REGULATORY:

CE (EN5513, EN50130-4)
EU: 73/23/EEC LVD
RoHS Compliant

ACCESSORIES:

Power Supplies

Model #IPS1205E 230v AC 50Hz
Model #IPS1205E 120v AC 60Hz

© i-LAX ELECTRONICS INC. 2009
Specifications are subject to change without notice.
Weights and dimensions may be indicative.
Revised January 2009

