

UIS - CMT3 Series IR Bullet Style Cameras

The UIS Series is a discreet yet powerful, bullet-style colour camera that comes with an aluminum enclosure with protective sun hood which makes it both attractive and functional in any environment. This high performance tamper resistant camera has an effective range of 40-45 metres (130-148 ft)*, IP 66 weatherproof, easy to install and has flexible mounting options. These cameras come with a quick-lock ball and socket swivel mount and discrete track mount installation conceals wiring so they cannot be tampered with or cut. These bullet-style cameras are perfect for 24/7 day or night surveillance. * Based on object of view reflecting IR light.



IC-UIS38CMT3

1/3" Super HAD SONY CCD
 Picture Elements: NYSC - 510 x 492, PAL - 500 x 582
 380 TVL Horizontal Resolution
 IR LED x 36pcs
 IR Distance 45m (148 ft)*

IC-UIS42CMT3

1/3" Super HAD SONY CCD
 Picture Elements: NYSC - 510 x 492, PAL - 500 x 582
 420 TVL Horizontal Resolution
 IR LED x 36pcs
 IR Distance 45m (148 ft)*

IC-UIS54CMT3

1/3" Super HAD SONY CCD
 Picture Elements: NYSC - 768 x 494, PAL - 752 x 582
 540 TVL Horizontal Resolution
 IR LED x 36pcs
 IR Distance 45m (148 ft)*

* Based on object of view reflecting IR light.

NOTE:

The UISCMT3 cameras come with a 4.3mm standard lens. Optional 6mm, 8mm and 12mm lenses are available.

To assist you in choosing the correct lens option to suit your application please refer to the lens calculator on our web site at:
www.i-lax.ca > On-line Tools > Lens Calculator.

ORDERING:

IC-US38CMT3 IR Bullet-Style Camera with 36pc Illuminator, 380 TVL, 12v DC,

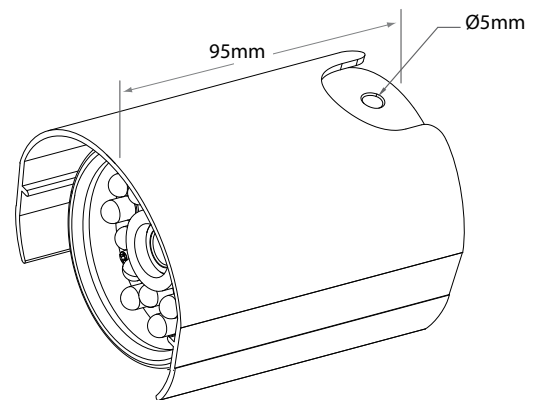
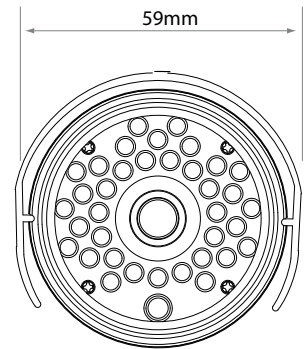
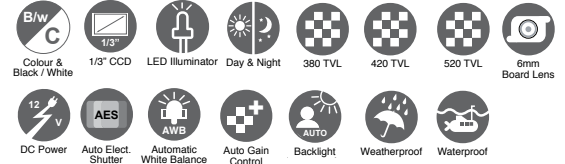
IC-US42CMT3 IR Bullet-Style Camera with 36pc Illuminator, 420 TVL, 12v DC,

IC-US54CMT3 IR Bullet-Style Camera with 36pc Illuminator, 540 TVL, 12v DC,

NOTE:

Specify NTSC or PAL when ordering.

* When ordering please specify the lens option you require. If unspecified, the standard 4.3mm lens will be supplied



Model	IC-UIS38CMT3	IC- UIS42CMT3	IC- UIS54CMT3
Operational			
Image Sensor	1/3" SONY Super HAD CCD Technology		
Number of Effective Pixels	<u>Effective:</u> NTSC: 510 x 492 / PAL: 500 x 582 <u>Total:</u> NTSC: 537 x505 / PAL: 537 x597		NTSC: 768 x 494 / PAL: 752 x 582 NTSC: 811 x 508/ PAL: 795 x 596
Auto Gain Control (AGC)	Auto (max. 34dB)		
Exposure Control	AES		
Back Light Compensation (BLC)	Auto detect, histogram and 225 areas windows weighted		
Electronic Shutter	1/50 (60) to 1/100,000 second		
Gamma Correction	0.45		
White Balance	Auto tracking 2500K to 9500K		
IR LED	36 pieces 5 \varnothing 850nm infrared illuminator		
IR Distance	45m (147 ft)*		
Video Output	1Vp-p. 75 Ω BNC Connector		
Scanning Mode	2:1 interlace scan		
Scanning Line	NTSC: 525 lines / PAL: 625 lines		
Hor. scanning frequency	NTSC: 15.734K Hz / PAL: 15.625K Hz		
Ver. scanning frequency	NTSC: 59.94K Hz / PAL: 50K Hz		
Acceptable IR wavelength	100 to 1100nm (night mode on)		
Aperture Correction	Horizontal and Vertical 2H enhancer		
System	NTSC / PAL		
Lens Mount	12 \varnothing Screw mount lens		
Built-in Lens	Board lens 6.0mm F2.0 (Standard) & 4.3,8,12mm (optional)		
Horizontal Resolution	380TVL	420TVL	540TVL
Sensitivity (30IRE, SAGC)	Color: 0.1 lx @ F1.2 Black&White:0.03 lx @ F1.2		Color: 0.5 lx @ F1.2 Black&White:0.08 lx @ F1.2
Electrical			
Input Voltage Options	12v DC		
Power Consumption	12v - 280mA 270mA when IR illuminator on		12v - 300mA 290mA when IR illuminator on
Synchronization	Internal		
General			
IP Rating	IP66 (Vandal Proofing)		
Operating Temperature	10°C to 50°C (14°F to122°F)		
Operating Humidity	20% ~ 80% (non compensating)		
Storage Temperature	-20°C to 70°C (-4°F to158°F)		
Storage Humidity	20% ~ 95% (non compensating)		
Construction	Cast Aluminum Housing / Black Finish		
Weight	Approximately 0.5kg (1.1Lbs.)		

© i-LAX ELECTRONICS INC. 2009
 Specifications are subject to change without notice.
 Weights and dimensions may be indicative.
 Revised January 2009

UIS - CMT3 IR Bullet Style Cameras

REGULATORY:

CE (EN5513, EN50130-4)
 EU: 73/23/EEC LVD
 RoHS Compliant

ACCESSORIES:

Power Supplies

Model #IPS1205E 230v AC 50Hz
 Model #IPS1205E 120v AC 60Hz

